

HYUNDAI UPS

Online UPS 1KVA~10KVA

Features

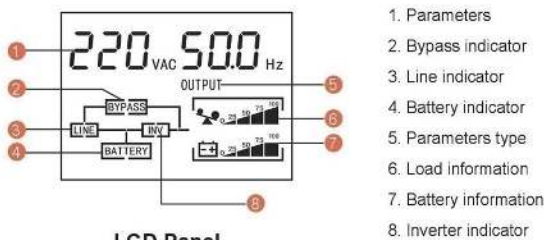
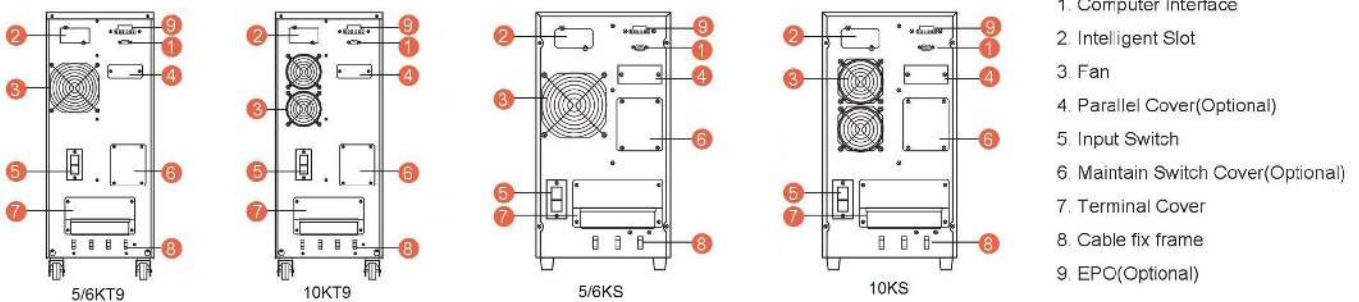
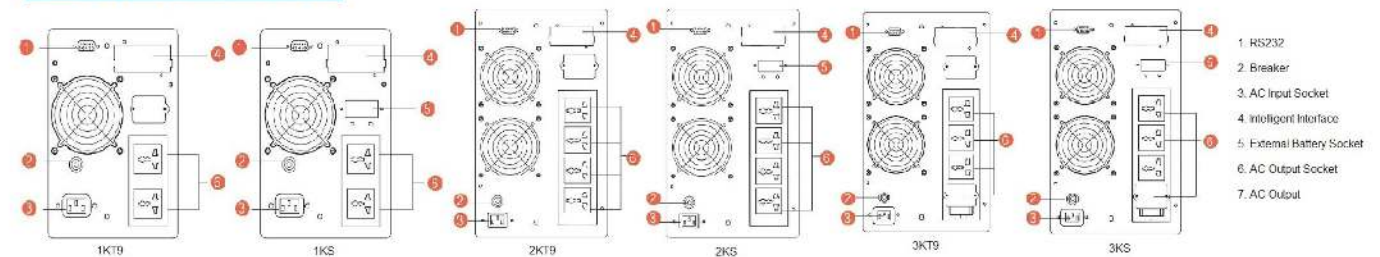
- Rated power 1KVA to 10KVA
- Pure sine wave output
- IGBT technology
- N+X parallel redundancy (From 5~10KVA with LED model)
- LCD+LED Display
- Cold start function
- Support RS232 monitoring function with free CD



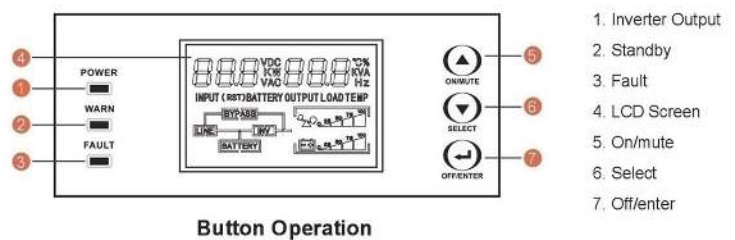
Introduction

This Online Series is an uninterruptible power supply incorporating conversion technology. It provides perfect protection specifically for computer equipment, communication systems to computerized instruments. The double-conversion principle eliminates all mains power disturbances. A rectifier converts the alternating current from the utility power to direct current. This direct current charges the batteries and powers the inverter. On the basis of this DC voltage, the inverter generates a sinusoidal AC voltage which is constantly powering the loads. Computers and Peripherals are thus powered entirely by the UPS. In the event of power failure, the maintenance-free batteries power the inverter.

LCD Display Information



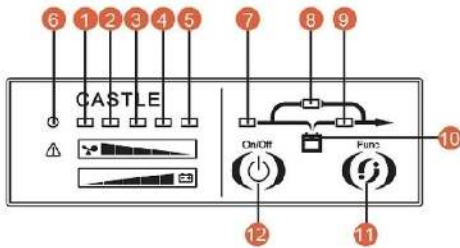
LCD Panel



Button Operation

Online UPS

LED Display Information



LED Panel

- | | |
|------------------------------------|---------------------|
| 1. LED1:Load/battery capacity info | 7. LINE INFO |
| 2. LED2:Load/battery capacity info | 8. BYPASS INFO |
| 3. LED3:Load/battery capacity info | 9. INVERTER INFO |
| 4. LED4:Load/battery capacity info | 10. BATTERY INFO |
| 5. LED5:Load/battery capacity info | 11. FUNCTION BUTTON |
| 6. FAULT INFO | 12. ON/OFF BUTTON |

Specifications

MODEL	HD-1KT9/1KS	HD-2KT9/2KS	HD-3KT9/3KS	HD-5KT9/5KS	HD-6KT9/6KS	HD-10KT9/10KS
Capacity	1000VA/900W	2000VA/1800W	3000VA/2700W	5000VA/4500W	6000VA/5400W	10KVA/9KW
INPUT						
Phase	Single Phase			1PH 2W+G		
Voltage Range	110-300VAC			120-275VAC		
Frequency	40~70Hz; 50/60Hz Autoadaptation			46~64Hz; 50/60Hz Autoadaptation		
Power Factor	>0.99					
OUTPUT						
Voltage Range	208/220/230/240x(±1%)VAC					
Frequency Range	Main mode:(46~54)Hz/(56~64)Hz Battery mode:50(±0.1%)Hz/60(±1%)Hz					
Crest Ratio	3:1					
Power Factor	0.9					
Output Waveform	Pure Sine Wave					
Outlet	universal x2	universal x4	universal x3+terminal	Hard Wiring with Terminal Block		
TRANSFER TIME						
Transfer Time	Zero					
Inverter To Bypass	<4ms			Zero		
INDICATOR						
LED	Load/Battery capacity/Main mode/Bypass mode/Fault					
LCD	Load/Battery/Input/Output/Operation Mode					
ENVIRONMENT						
Operating Environment	0~40°C					
Humidity	20-90%(non-condensing)					
Noise	<50db@1 Meter			<60db@1 Meter		
Temperature	-25°C~55°C(no battery)					
OTHER						
Protection	Load<110%,Keep working; 110%<Load<130%>1min; 130%<Load<150%>Immediately			Load<105%,Keep working; 105%<Load<125%>1min; 125%<Load<135%>30sec		
Efficiency	Up to 85%	Up to 88%		Up to 90%		
Battery Inbuilt	12V7Ah*3	12V7Ah*6	12V7Ah*8	12V7Ah*16	12V7Ah*16	12V9Ah*16
Backup time (100% load)	8-10 mins		7-9 mins	8-10 mins		5-7 mins
Battery DC Voltage	DC36V	DC72V	DC96V	DC192V		
PHYSICAL						
Machine Dimension W*H*D(mm)	145*220*400	192*348*460		248*500*616/248*500*460		
Net Weight(kgs)	12/6.2	24.7/13	29.8/14	62/20	64.5/20	

* Product specifications are subject to change without further notice.